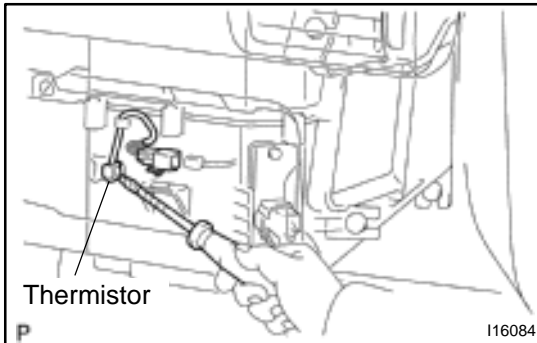


THERMISTOR INSPECTION

1. REMOVE GLOVE COMPARTMENT DOOR

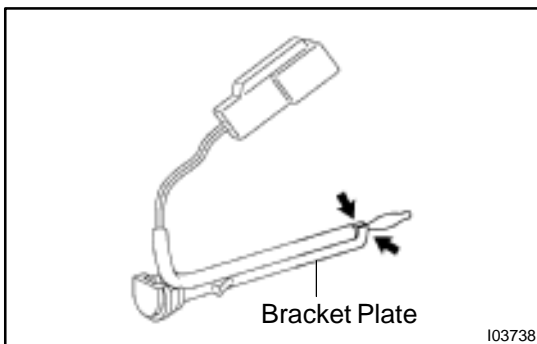


2. REMOVE THERMISTOR

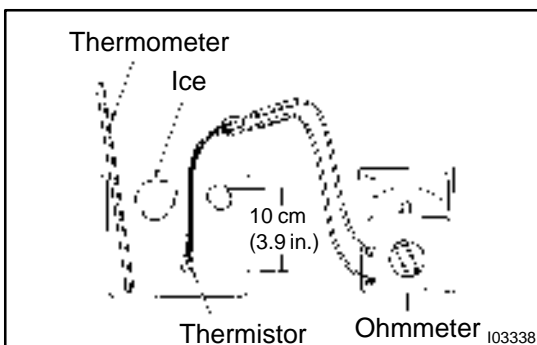
- (a) Disconnect the thermistor connector.
- (b) Using a screwdriver, pull out the thermistor.

HINT:

Tape the screwdriver tip before use.

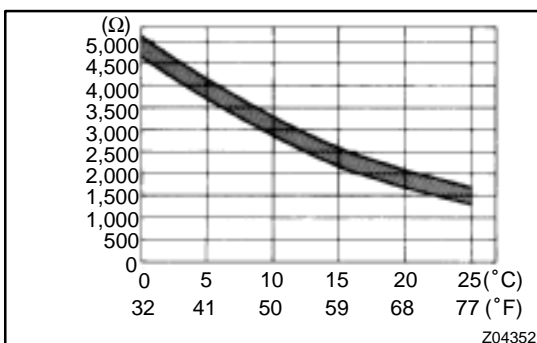


- (c) Release the 2 claws and remove the thermistor from the bracket plate.



3. INSPECT THERMISTOR

- (a) Place the thermistor in cold water, and while changing the temperature of water, measure resistance at the connector and at the same time, measure temperature of water with a thermometer.



- (b) Compare the 2 readings on the chart. If resistance is not as specified, replace the thermistor.

4. REINSTALL THERMISTOR

- (a) Install the thermistor to the bracket plate.
- (b) Install the thermistor to A/C unit.
- (c) Connect the thermistor connector.

5. REINSTALL GLOVE COMPARTMENT DOOR